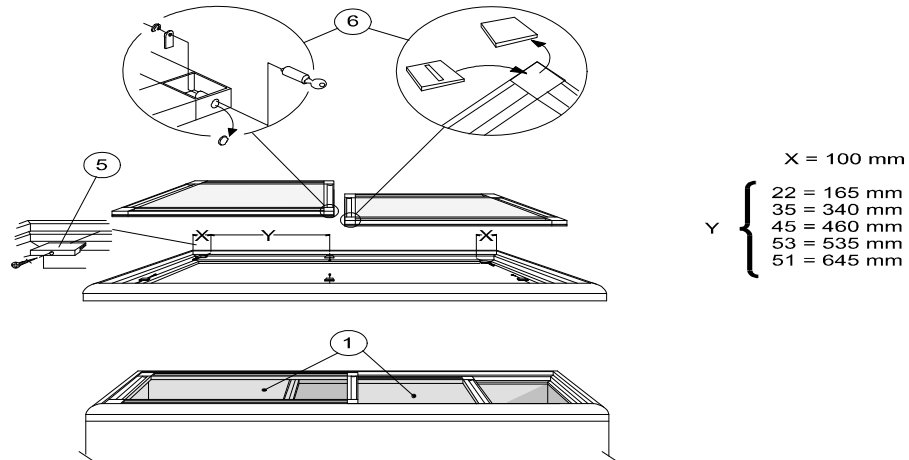


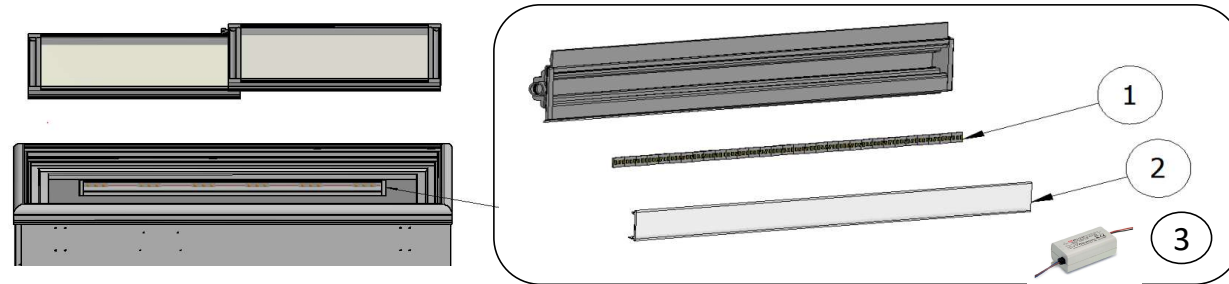
SPAREPARTS LIST EL-LTS AND UNI-S BOX W/SLIDING GLASS LID



EL-LTS and UNI-S

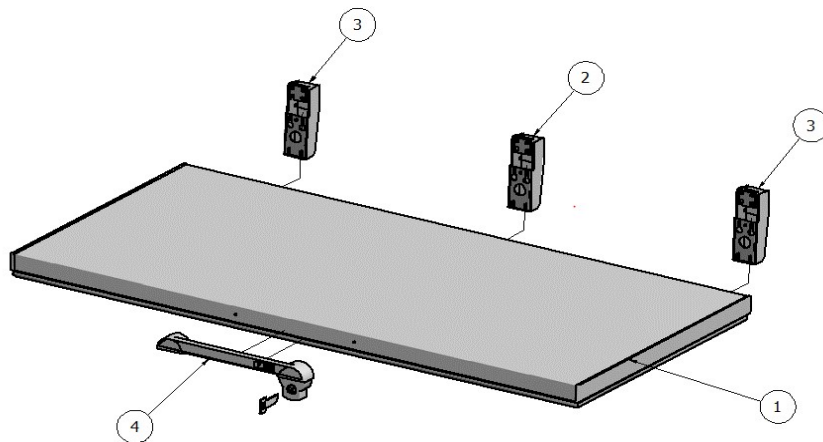
ITEM NO.	PCS	DESCRIPTION	MODEL 11		MODEL 21		MODEL 31		MODEL 41		MODEL 51	
			CODE		CODE		CODE		CODE		CODE	
1	1	Glass Lid upper with lock	8014.0100		8014.0202		8014.0302		8014.0402		8014.0502	
1	1	Glass Lid lower with lock	8014.0101		8014.0203		8014.0303		8014.0403		8014.0503	
1	1	CAL lid upper with lock	8011.0100		8011.0200		8011.0300		8011.0400		8011.0500	
1	1	CAL lid lower with lock	8011.0101		8011.0201		8011.0301		8011.0401		8011.0501	
5	6	Dowels (SG4 lock)	SP1993		SP1993		SP1993		SP1993		SP1993	
6	1	Lock kit complete	82CYL1SG 4		82CYL1SG 4		82CYL1SG 4		82CYL1SG 4		82CYL1SG 4	
6	2	Key	NØGLE2		NØGLE2		NØGLE2		NØGLE2		NØGLE2	

INTERNAL LIGHT



			MODEL 11	MODEL 21	MODEL 31	MODEL 41	MODEL 51
1	1	LED LIGHTS	LED21	LED16	LED17	LED17	LED18
2	1	CLEAR LIGHT COVER	P-PROFIL02	P-PROFIL02	P-PROFIL02	P-PROFIL02	P-PROFIL02
3	1	POWER SUPPLY 115/230V	PSU3	PSU3	PSU3	PSU3	PSU3

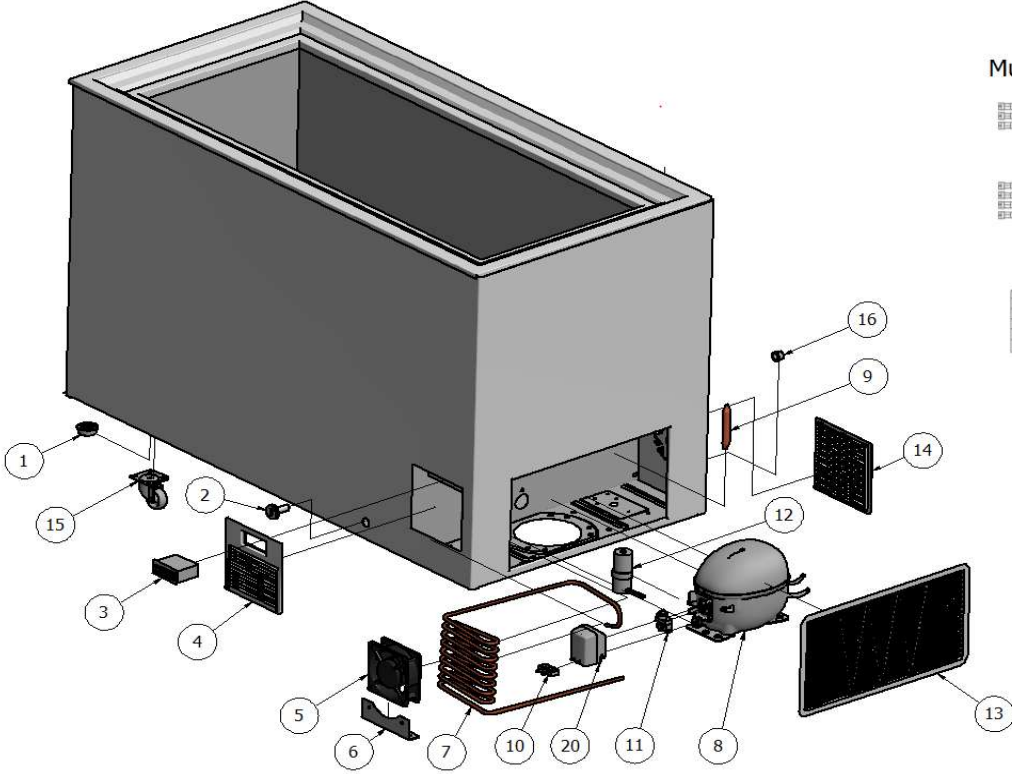
Lid and accessories for EL-LT and UNI box with solid lid:



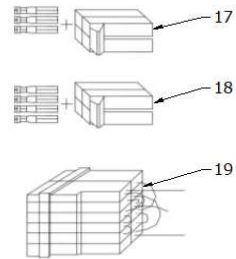
EL-LT and UNI

			MODEL 11	MODEL 21	MODEL 31	MODEL 41	MODEL 51
ITEM NO.	PCS	DESCRIPTION	CODE	CODE	CODE	CODE	CODE
1	1	Lid w/o hinges	8010.0100	8010.0200	8010.0302	8010.0402	8010.0502
2	1	Hinge w/o spring	-	-	Haeng 00	Haeng 00	Haeng 00
3	1	Hinge set	Haeng42 Haeng42	Haeng 46 Haeng 46	Haeng 46 Haeng 46	Haeng 49 Haeng 49	Haeng 49 Haeng 49
4	1	Plastic grip with lock	EPCH	EPCH	EPCH	EPCH	EPCH

SPAREPART LIST EL-LT, EL-LTS, UNI and UNI-S boxes:



Multi Plugsystem



EL-LT, EL-LTS, UNI og UNI-S

ITEM NO.	PCS	DESCRIPTION	MODEL 11		MODEL 21		MODEL 31		MODEL 41		MODEL 51	
			CODE		CODE		CODE		CODE		CODE	
1	4	Plastic foot	SP1412 SP1413		SP1412 SP1413		SP1412 SP1413		SP1412 SP1413		SP1412 SP1413	
2	1	Stopper for drain	E1HU		E1HU		E1HU		E1HU		E1HU	
4	1	Front ventilation grill	PLASTMFP13		PLASTMFP13		PLASTMFP13		PLASTMFP13		PLASTMFP13	
6	1	Bracket for fan	Beslag BL		Beslag BL		Beslag BL		Beslag BL		Beslag BL	
7	1	Precondensor	Forkondl1		Forkondl1		Forkondl1		Forkondl1		Forkondl1	
9	1	Filter dryer	Filter6XH9		Filter6XH9		Filter6XH9		Filter6XH9		Filter6XH9	
13	1	Cover for motor room	SP1417		SP1417		SP1417		SP1417		SP1417	
14	1	Square grill	E51H		E51H		E51H		E51H		E51H	
15	1	Wheels set(2 w. brake)	8100.0202		8100.0202		8100.0202		8100.0202		8100.0202	
16	1	Cable retainer	E59Aflast1		E59Aflast1		E59Aflast1		E59Aflast1		E59Aflast1	
17	1	Plug with two pins										
18	1	Plug with four pins										

230 volt 50 Hz

STANDARD

3	1	Electronic thermostat Incl. sensor	DIXELL30CH2		DIXELL30CH2		DIXELL30CH2		DIXELL30CH2		DIXELL30CH2	
5	1	Fan230V	BLAES230HBT		BLAES230HBT		BLAES230HBT		BLAES230HBT		BLAES230HBT	
8	1	Compressor 230V 50HZ, R290	NEU2140U		NEU2155U		NEU2168U		NEU2168U		NT2180U	
19	1	Multiplug with cable	TSK0104		TSK0104		TSK0102		TSK0101		TSK0102	
11	1	Starting relay	NEU2140URE		NEU2155URE		NEU2168URE		NEU2168URE			
12	1	Starting capacitor	NEU2140USK		NEU2155USK		NEU2168USK		NEU2168USK			
		Motor protector/ KLIXON	NEU2140UKL		NEU2155UKL		NEU2168UKL		NEU2168UKL			
20	1	Cover	103N2009		103N2009		103N2009		103N2009		103N2009	
10	1	Cord relief	103N1004		103N1004		103N1004		103N1004		103N1004	

