



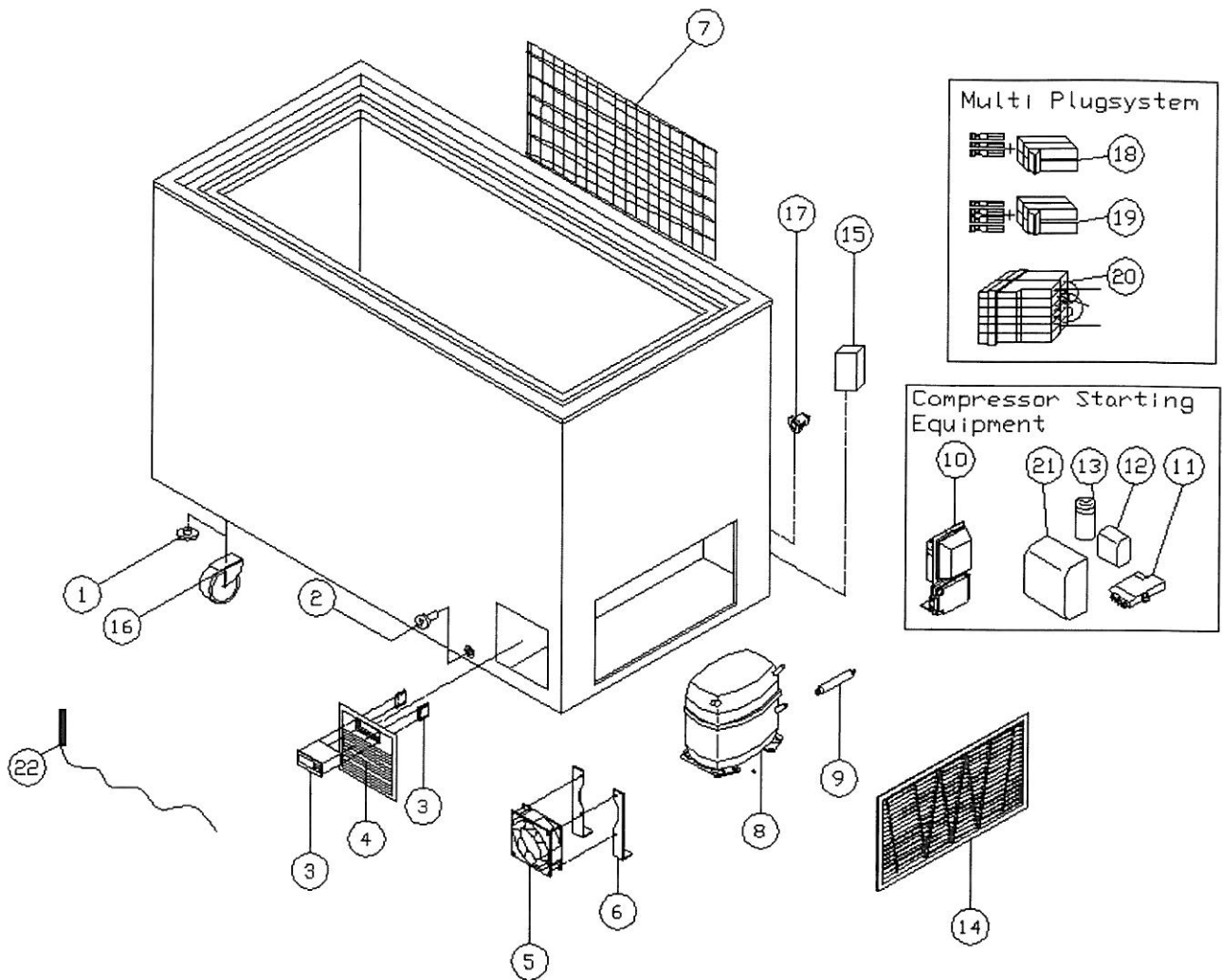
# Spare parts List

# Commercial

# Freezers

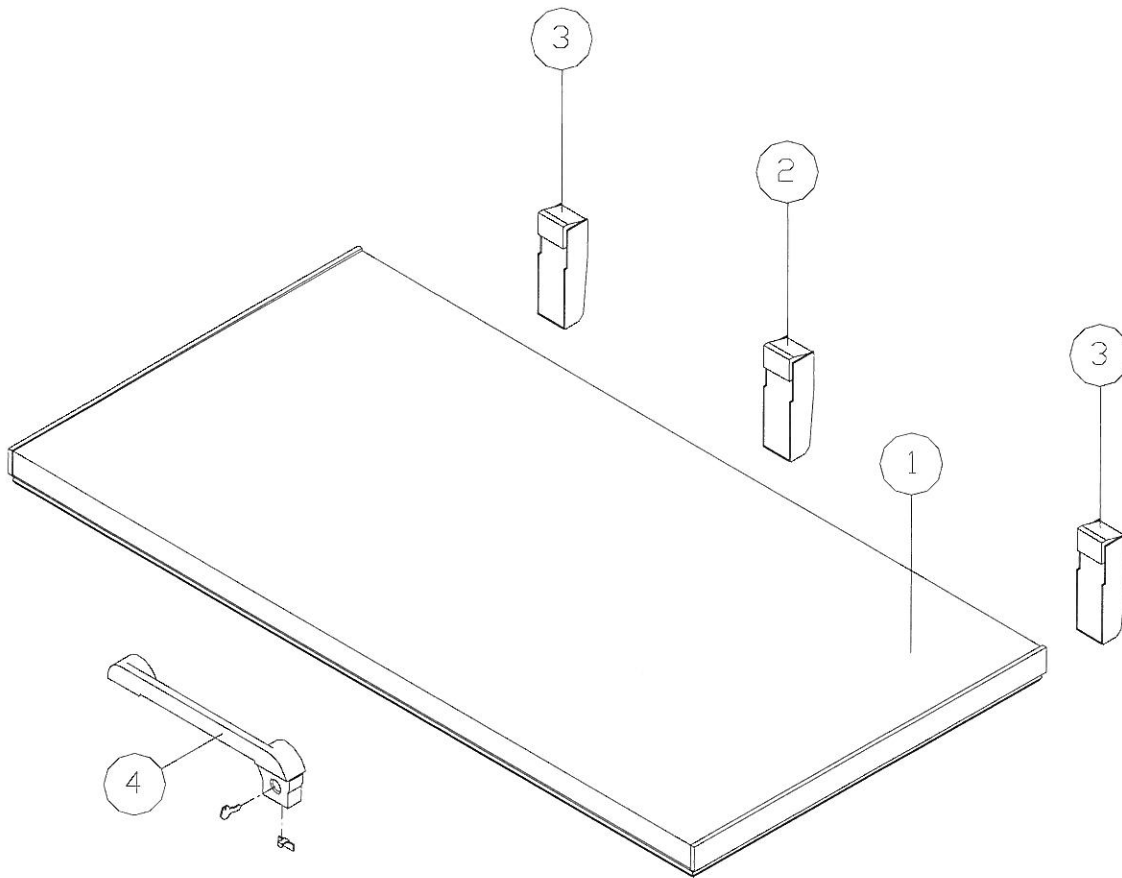
Models:  
XLT / PRO Cabinets

## Spare part for XLT/PRO cabinet



	Pcs	Spare part	Model 11	Model 21	Model 31	Model 41	Model 51/ 60
1	4	Plastic foot	SP1412 SP1413	SP1412 SP1413	SP1412 SP1413	SP1412 SP1413	SP1412 SP1413
2	1	Stopper for drain	E1HU	E1HU	E1HU	E1HU	E1HU
3	1	Electronic thermostat 220V excl. sensor	Dixell2C	Dixell2C	Dixell2C	Dixell2C	Dixell2C
4	1	Front grill C. in top	E50HulTop	E50HulTop	E50HulTop	E50HulTop	E50HulTop
5	1	Fan 220V	Blaes230SH	Blaes230SH	Blaes230SH	Blaes230SH	Blaes230SH
6	1	Bracket for fan	Beslag BLH Beslag BLV	Beslag BLH Beslag BLV	Beslag BLH Beslag BLV	Beslag BLH Beslag BLV	Beslag BLH Beslag BLV
7	1	Back precondensor	Kondryg1	Kondryg3	Kondryg3	Kondryg4	Kondryg4
8	1	Compressor 230V 50/60Hz	SC12CNX.2SP	SC15CNX.2SP	SC18CNX.2SP	SC21CL	SC21CL
9	1	Filter Dryer	Filter6.1xh9	Filter6.1xh9	Filter6.1xh9	Filter6.1xh9	Filter6.1xh9
10	1	Compleat starting equip.				117-7046	117-7046
11	1	Cord relief	103N1004	103N1004	103N1004	103N1004	103N1004
12	1	Starting Relay	117U6003	117U7005	117U7011		
13	1	Starting Capacitor	117U5017	117U5017	117u5017		
14	1	Cover for motor room	SP1417	SP1417	SP1417	SP1417	SP1417
15	1	Alarm box incl. Cables	ALARM1U2	ALARM1U2	ALARM1U2	ALARM1U2	ALARM1U2
16	4	Wheel set (4 w/brake)	8100.0201	8100.0201	8100.0201	8100.0201	8100.0201
17	1	Cable retainer	E59AFLAST1	E59AFLAST1	E59AFLAST1	E59AFLAST1	E59AFLAST1
18	1	Power cable	NETLED27	NETLED27	NETLED27	NETLED27	NETLED27
19	1	Cable from dixell to Multi plug	TSL0201	TSL0201	TSL0201	TSL0201	TSL0201
20	1	Multi plug with cable	TSK0106	TSK0106	TSK0106	TSK0106	TSK0106
21	1	Cover for starting equip.	103N2009	103N2009	103N2009	103N2009	103N2009
22	1	PT100 sensor	Dixell2Cfoeler	Dixell2Cfoeler	Dixell2Cfoeler	Dixell2Cfoeler	Dixell2Cfoeler

## Lid and parts for XLT/PRO boxes.



Pos.	Pcs	Spare part	Model 11	Model 21	Model 31	Model 41	Model 51 /60
1	1	Lid without hinges	8010.0100	8010.0200	8010.0302	8010.0402	8010.0502
2	1	Hinge without spring	-	-	Hæng 00	Hæng 00	Hæng 00
3	1	Hinges with spring	Hæng 00 Hæng 49	Hæng 46 Hæng 46	Hæng 46 Hæng 46	Hæng 49 Hæng 49	Hæng 49 Hæng 49