

**SPAREPART LIST FOCUS**



| ITEM NO. | DESCRIPTION | FOCUS 73 |  | FOCUS 106 |  | FOCUS 131 |  | FOCUS 151 |  | FOCUS 171 |  |
|----------|-------------|----------|--|-----------|--|-----------|--|-----------|--|-----------|--|
|          |             | CODE     |  | CODE      |  | CODE      |  | CODE      |  | CODE      |  |

**SLIDING GLASS LID**

|    |                                   |               |  |               |  |               |  |               |  |               |  |
|----|-----------------------------------|---------------|--|---------------|--|---------------|--|---------------|--|---------------|--|
| 3  | COMPLETE SET OF GLASS LIDS (RED)  | 82GLASF073-S1 |  | 82GLASF106-S1 |  | 82GLASF131-S1 |  | 82GLASF151-S1 |  | 82GLASF171-S1 |  |
| 3  | COMPLETE SET OF GLASS LIDS (BLUE) | 82GLASF073-S2 |  | 82GLASF106-S2 |  | 82GLASF131-S2 |  | 82GLASF151-S2 |  | 82GLASF171-S2 |  |
| 3  | COMPLETE SET OF GLASS LIDS (GREY) | 82GLASF073-S3 |  | 82GLASF106-S3 |  | 82GLASF131-S3 |  | 82GLASF151-S3 |  | 82GLASF171-S3 |  |
| 8  | HANDLE, SELF ADHESIVE (RED)       | HÄND1         |  | HÄND1         |  | HÄND1         |  | HÄND1         |  | HÄND1         |  |
| 8  | HANDLE, SELF ADHESIVE (BLUE)      | HÄND2         |  | HÄND2         |  | HÄND2         |  | HÄND2         |  | HÄND2         |  |
| 8  | HANDLE, SELF ADHESIVE (GREY)      | HÄND3         |  | HÄND3         |  | HÄND3         |  | HÄND3         |  | HÄND3         |  |
| 20 | PILE WEATHER STRIPS (2 PCS)       | GLASTAETNING1 |  | GLASTAETNING1 |  | GLASTAETNING1 |  | GLASTAETNING1 |  | GLASTAETNING1 |  |
| 12 | PLASTIC TRACK IN FRONT            | 82FORK10      |  | 82FORK11      |  | 82FORK12      |  | 82FORK13      |  | 82FORK14      |  |
| 11 | PLASTIC TRACK IN BACK             | 82BAGK5       |  | 82BAGK6       |  | 82BAGK7       |  | 82BAGK8       |  | 82BAGK9       |  |
| 25 | HEATING CABLE FRONT TRACK 230V    | VK2CCIS22     |  | VK2CCIS35     |  | VK2CCIS45     |  | VK2CX53       |  | VK2CCS35      |  |
| 25 | HEATING CABLE FRONT TRACK 115V    | VK1CCIS22     |  | VK1CCIS35     |  | VK1CCIS45     |  | VK1CX53       |  | VK1CX61       |  |
| 21 | LOCK HOLDER IN UPPER GLASS        | PLASTD33      |  | PLASTD33      |  | PLASTD33      |  | PLASTD33      |  | PLASTD33      |  |
| 24 | LOCK KIT COMPLETE                 | 8100.0303     |  | 8100.0303     |  | 8100.0303     |  | 8100.0303     |  | 8100.0303     |  |

**INTERNAL LIGHT**

|       |                                    |           |  |           |  |           |  |           |  |           |  |
|-------|------------------------------------|-----------|--|-----------|--|-----------|--|-----------|--|-----------|--|
| 19,28 | COMPLETE INTERNAL LIGHT 115/230V   | 8100.0610 |  | 8100.0611 |  | 8100.0612 |  | 8100.0613 |  | 8100.0614 |  |
| 19    | LED LIGHTS                         | LED16     |  | LED17     |  | LED18     |  | LED19     |  | LED20     |  |
| 28    | POWER SUPPLY 115V/60HZ + 230V/50HZ | PSU3      |  | PSU3      |  | PSU3      |  | PSU3      |  | PSU3      |  |
| 13    | CLEAR LIGHT COVER                  | 9100.0625 |  | 9100.0626 |  | 9100.0627 |  | 9100.0628 |  | 9100.0629 |  |

**MOTOR COMPARTMENT**

|    |  |          |  |          |  |           |  |            |  |            |  |
|----|--|----------|--|----------|--|-----------|--|------------|--|------------|--|
| 18 | COMPRESSOR 230V 50HZ <b>CC.3/4 R134A/R404A</b> | NL8.4FT  |  | NL8.4FT  |  | NL10FT-50 |  | NEU2140GK2 |  | NEU2140GK2 |  |
| 29 | STARTING RELAY                                 | 103N0016 |  | 103N0016 |  | 103N0016  |  |            |  |            |  |
| 30 | START CAPACITOR                                | ----     |  | ----     |  | ----      |  |            |  |            |  |

**SPAREPART LIST FOCUS**



| ITEM NO. | DESCRIPTION | FOCUS 73 |  | FOCUS 106 |  | FOCUS 131 |  | FOCUS 151 |  | FOCUS 171 |  |
|----------|-------------|----------|--|-----------|--|-----------|--|-----------|--|-----------|--|
|          |             | CODE     |  | CODE      |  | CODE      |  | CODE      |  | CODE      |  |

**MOTOR COMPARTMENT**

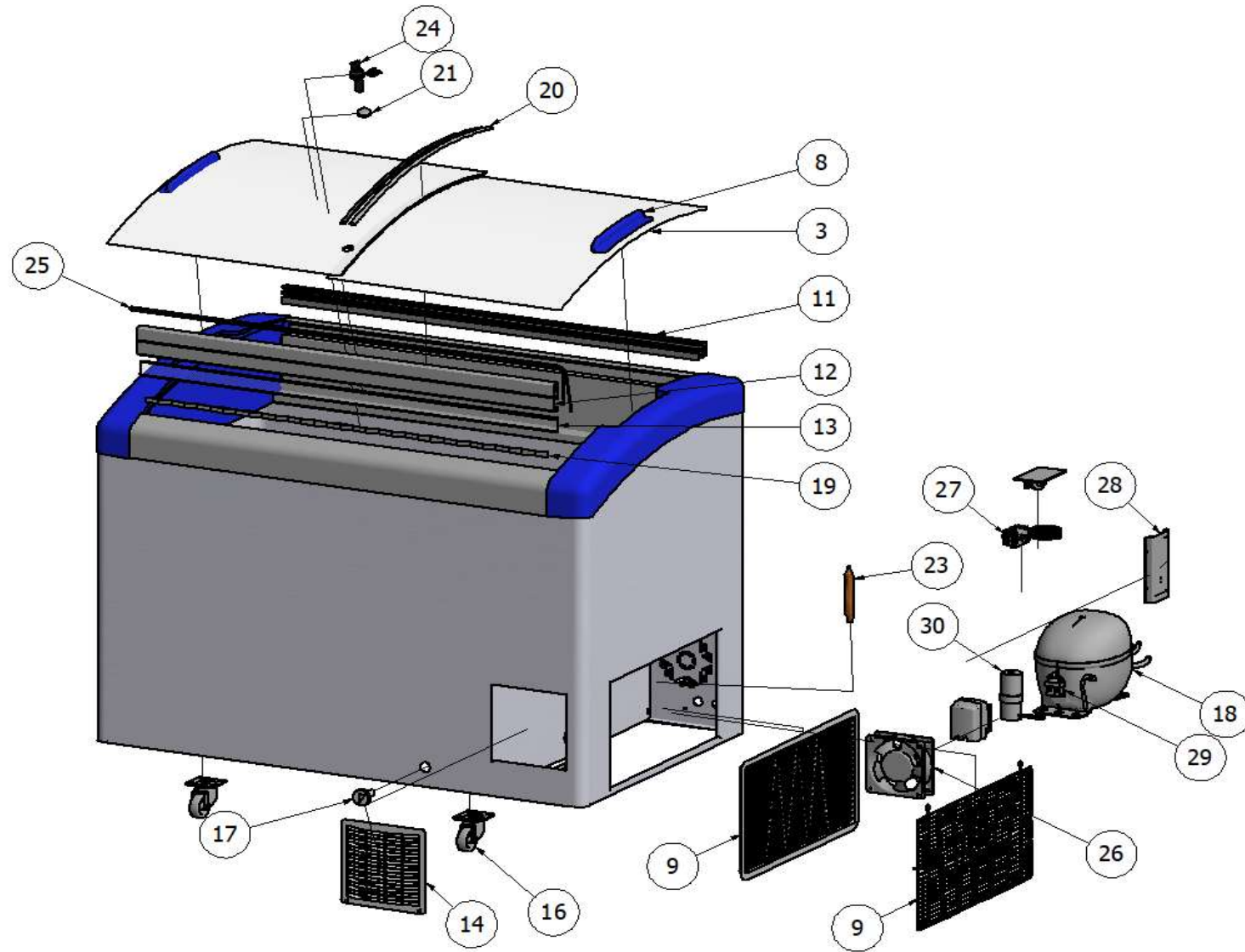
|    |   |          |  |          |  |            |  |            |  |            |  |
|----|---|----------|--|----------|--|------------|--|------------|--|------------|--|
| 18 | COMPRESSOR 230V 50/60HZ <b>R134A</b> CC4/4+ | NL8.4FT  |  | NL8.4FT  |  | NL10FT-50  |  |            |  |            |  |
| 29 | STARTING RELAY                              | 117U6001 |  | 117U6001 |  | 117U6002   |  |            |  |            |  |
| 30 | START CAPACITOR                             | 117U5015 |  | 117U5015 |  | 117U5015   |  |            |  |            |  |
| 18 | COMPRESSOR 230V 50HZ <b>R404A</b> CC.4+/5   | ----     |  | NL8.4CLX |  | NEU2140GK2 |  | NEU2140GK2 |  | NEU2140GK2 |  |
| 29 | STARTING RELAY                              | ----     |  | 117U6003 |  | 117U6019   |  | 117U6019   |  | 117U6019   |  |
| 30 | START CAPACITOR                             | ----     |  | 117U5015 |  | 117U5017   |  | 117U5017   |  | 117U5017   |  |

**OTHER**

|    |                                    |                  |  |                  |  |                  |  |                  |  |                  |  |
|----|------------------------------------|------------------|--|------------------|--|------------------|--|------------------|--|------------------|--|
| 17 | STOPPER FOR OUTSIDE DRAIN          | E1HU             |  | E1HU             |  | E1HU             |  | E1HU             |  | E1HU             |  |
| 15 | DIGITAL THERMOMETER                | FTERMOMETB2      |  | FTERMOMETB2      |  | FTERMOMETB2      |  | FTERMOMETB2      |  | FTERMOMETB2      |  |
| 27 | THERMOSTAT <b>R134A/ R600A</b>     | TERMOSTAT13      |  | TERMOSTAT13      |  | TERMOSTAT13      |  | TERMOSTAT13      |  | TERMOSTAT13      |  |
| 27 | THERMOSTAT <b>R404A/ R290</b>      | TERMOSTAT11      |  | TERMOSTAT11      |  | TERMOSTAT11      |  | TERMOSTAT11      |  | TERMOSTAT11      |  |
| 9  | GRILL FOR ENGINE ROOM - PLASTIC    | SP1417           |  | SP1417           |  | SP1417           |  | SP1417           |  | SP1417           |  |
| 9  | GRILL FOR ENGINE ROOM - METAL      | MHUSRIST         |  | MHUSRIST         |  | MHUSRIST         |  | MHUSRIST         |  | MHUSRIST         |  |
| 23 | FILTER DRYER                       | FILTER6XH9       |  | FILTER6XH9       |  | FILTER6XH9       |  | FILTER6XH9       |  | FILTER6XH9       |  |
| 16 | CASTORS 4 PCS KIT                  | 8100.0200        |  | 8100.0200        |  | 8100.0200        |  | 8100.0200        |  | 8100.0200        |  |
| 16 | CASTORS 2 PCS WITH/2 PCS W/O BRAKE | 8100.0202        |  | 8100.0202        |  | 8100.0202        |  | 8100.0202        |  | 8100.0202        |  |
| 26 | FAN 230V                           | BLAES230HBT      |  | BLAES230HBT      |  | BLAES230HBT      |  | BLAES230HBT      |  | BLAES230HBT      |  |
| 26 | FAN 115V                           | BLAES115HBT      |  | BLAES115HBT      |  | BLAES115HBT      |  | BLAES115HBT      |  | BLAES115HBT      |  |
| 14 | FRONT VENTILATION GRILL            | PLASTMFP13,14,15 |  | PLASTMFP13,14,15 |  | PLASTMFP13,14,15 |  | PLASTMFP13,14,15 |  | PLASTMFP13,14,15 |  |

**MOTOR COMPARTMENT**

|    |  |            |  |            |  |            |  |            |  |            |  |
|----|--|------------|--|------------|--|------------|--|------------|--|------------|--|
| 18 | COMPRESSOR 230V/50HZ - <b>R290</b> CC.4  | EMT2117U   |  | EMT2121U   |  | NEU2140U   |  | NEU2140U   |  | NEU2140U   |  |
| 29 | STARTING RELAY                           | -          |  | -          |  | NEU2140URE |  | NEU2140URE |  | NEU2140URE |  |
| 30 | START CAPACITOR                          | -          |  | -          |  | NEU2140USK |  | NEU2140USK |  | NEU2140USK |  |
| 18 | COMPRESSOR 230V/50HZ - <b>R290</b> CC.4+ | EMT2117U   |  | EMT2121U   |  | NEU2140U   |  | NEU2140U   |  | NEU2140U   |  |
| 29 | STARTING RELAY                           | -          |  | -          |  | NEU2140URE |  | NEU2140URE |  | NEU2140URE |  |
| 30 | START CAPACITOR                          | -          |  | -          |  | NEU2140USK |  | NEU2140USK |  | NEU2140USK |  |
| 18 | COMPRESSOR 230V/50HZ - <b>R290</b> CC.5  | EMT2117U   |  | EMT2121U   |  | NEU2140U   |  | NEU2155U   |  | NEU2155U   |  |
| 29 | STARTING RELAY                           | -          |  | -          |  | NEU2140URE |  | NEU2155URE |  | NEU2155URE |  |
| 30 | START CAPACITOR                          | -          |  | -          |  | NEU2140USK |  | NEU2155USK |  | NEU2155USK |  |
| 18 | COMPRESSOR 230V/50Hz - <b>R600a</b> CC.4 | EMY80CLP   |  | EMY80CLP   |  | NLE15KK.4  |  |            |  |            |  |
| 29 | STARTING RELAY                           | EMY80CLPRE |  | EMY80CLPRE |  | 103N0016   |  |            |  |            |  |
| 30 | START CAPACITOR                          | -          |  | -          |  | -          |  |            |  |            |  |
| 18 | COMPRESSOR 230V/50Hz - <b>R600a</b> CC.7 | EMY80CLP   |  | EMY80CLP   |  |            |  |            |  |            |  |
| 29 | STARTING RELAY                           | EMY80CLPRE |  | EMY80CLPRE |  |            |  |            |  |            |  |



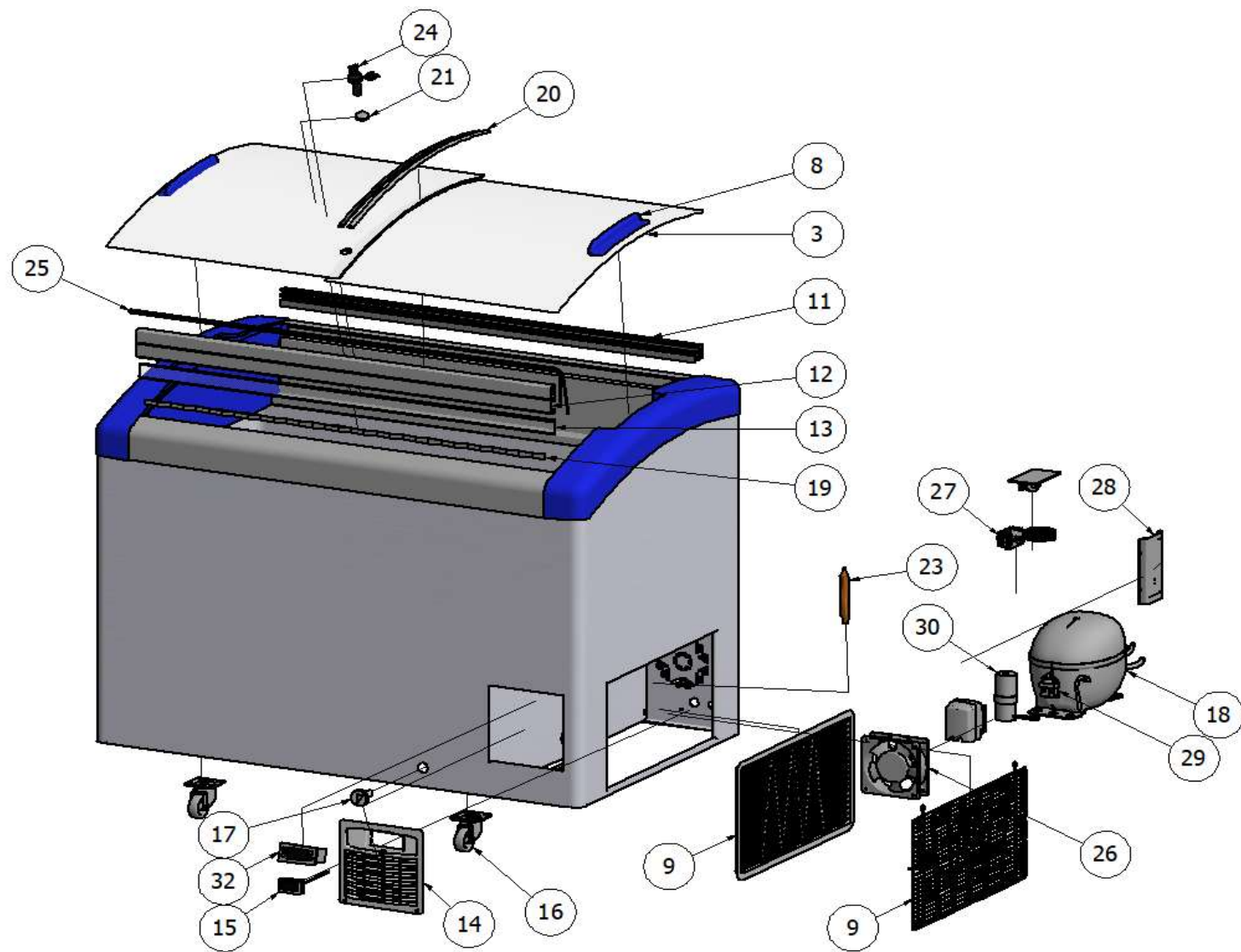
**PLASTMFP13**  
w. DIXELL



**PLASTMFP14**



**PLASTMFP15**  
w. Thermometer



115 volt 60 Hz

UL SPEC.

|          |   | FOCUS 73    |  | FOCUS 106   |  | FOCUS 131   |  | FOCUS 151   |  | FOCUS 171   |  |
|----------|---|-------------|--|-------------|--|-------------|--|-------------|--|-------------|--|
| ITEM NO. | DESCRIPTION                             | CODE        |  | CODE        |  | CODE        |  | CODE        |  | CODE        |  |
| 32       | ELECTRONIC THERMOSTATE 115V INCL.SENSOR | DIXELL30CH1 |  | DIXELL30CH1 |  | DIXELL30CH1 |  | DIXELL30CH1 |  | DIXELL30CH1 |  |
| 27       | MECHANICAL THERMOSTATE <b>R290</b>      | TERMOSTAT11 |  | TERMOSTAT11 |  | TERMOSTAT11 |  | TERMOSTAT11 |  | TERMOSTAT11 |  |
| 26       | FAN 115V                                | BLAES115HBT |  | BLAES115HBT |  | BLAES115HBT |  | BLAES115HBT |  | BLAES115HBT |  |
| 18       | COMPRESSOR 120V 60HZ, <b>R290</b>       | EMI70UER    |  | EMI90UEX    |  | NEU2140U1   |  | NEU2140U1   |  | NEU2140U1   |  |
|          | MULTIPLUG WITH CABLE                    | TSKU0102    |  | TSKU0102    |  | TSKU0102    |  | TSKU0102    |  | TSKU0102    |  |
| 29       | STARTING RELAY                          |             |  |             |  | NEU2140U1RE |  | NEU2140U1RE |  | NEU2140U1RE |  |
| 30       | STARTING CAPACITOR                      |             |  |             |  | NEU2140U1SK |  | NEU2140U1SK |  | NEU2140U1SK |  |
|          | MOTOR PROTECTOR/ KLIXON                 |             |  |             |  | NEU2140U1KL |  | NEU2140U1KL |  | NEU2140U1KL |  |