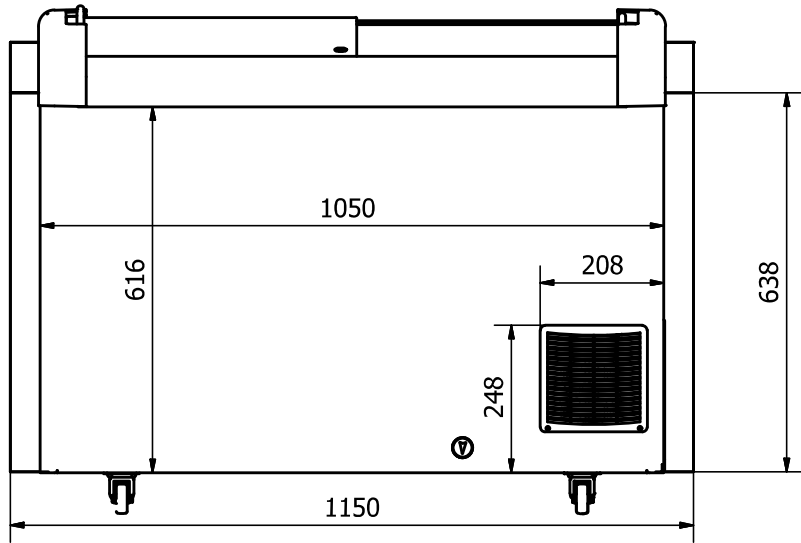
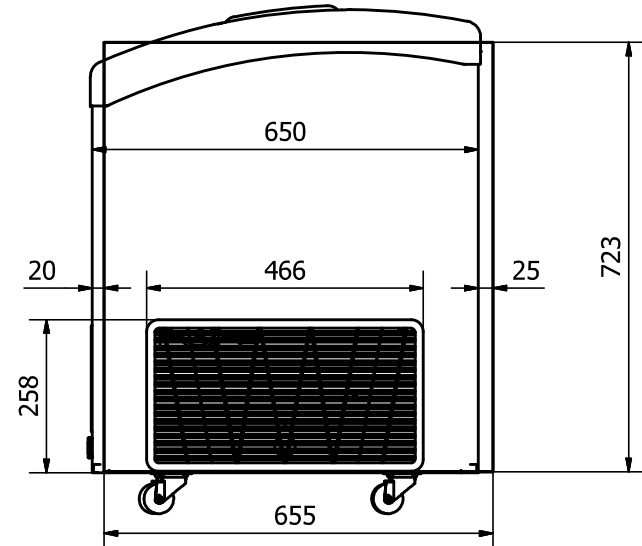


FOCUS 106

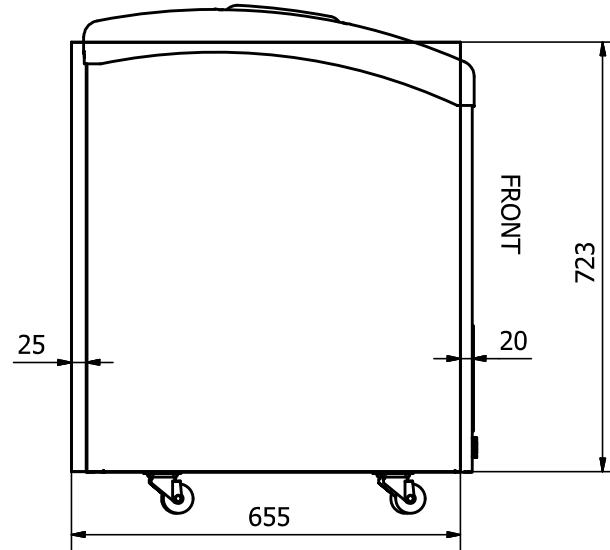
FRONT: Sticker 1150 x 638 mm



RIGHT SIDE: Sticker 655 x 723 mm



LEFT SIDE: Sticker 655 x 723 mm



Comments:

The FRONT sticker will be taken around the corners by approx. 50 mm in each side.
 The SIDE stickers will be mounted approx. 20 mm from the FRONT and will be taken around the BACK corner by approx. 25 mm
 Be aware that by mounting of sticker on cabinet, the curved sides means, that we on the front cut off a bit in the top. From 10 to 25 mm of the sticker will be cut off in a curve. We could also make a small cut in the top of the front sticker along the frame of FOCUS, if it is too large.
 Be aware that by mounting of stickers on the BACK of cabinet, we cut approx. 15 mm off the top of the sticker.

Designed by Marina Pedersen	Checked by	Approved by	Date	Date 05-08-2020	
Elcold Aps			Streamer measurements 3-sided, mm		
			Focus 106	Edition	Sheet 1 / 1