

4

3

2

1

D

D

C

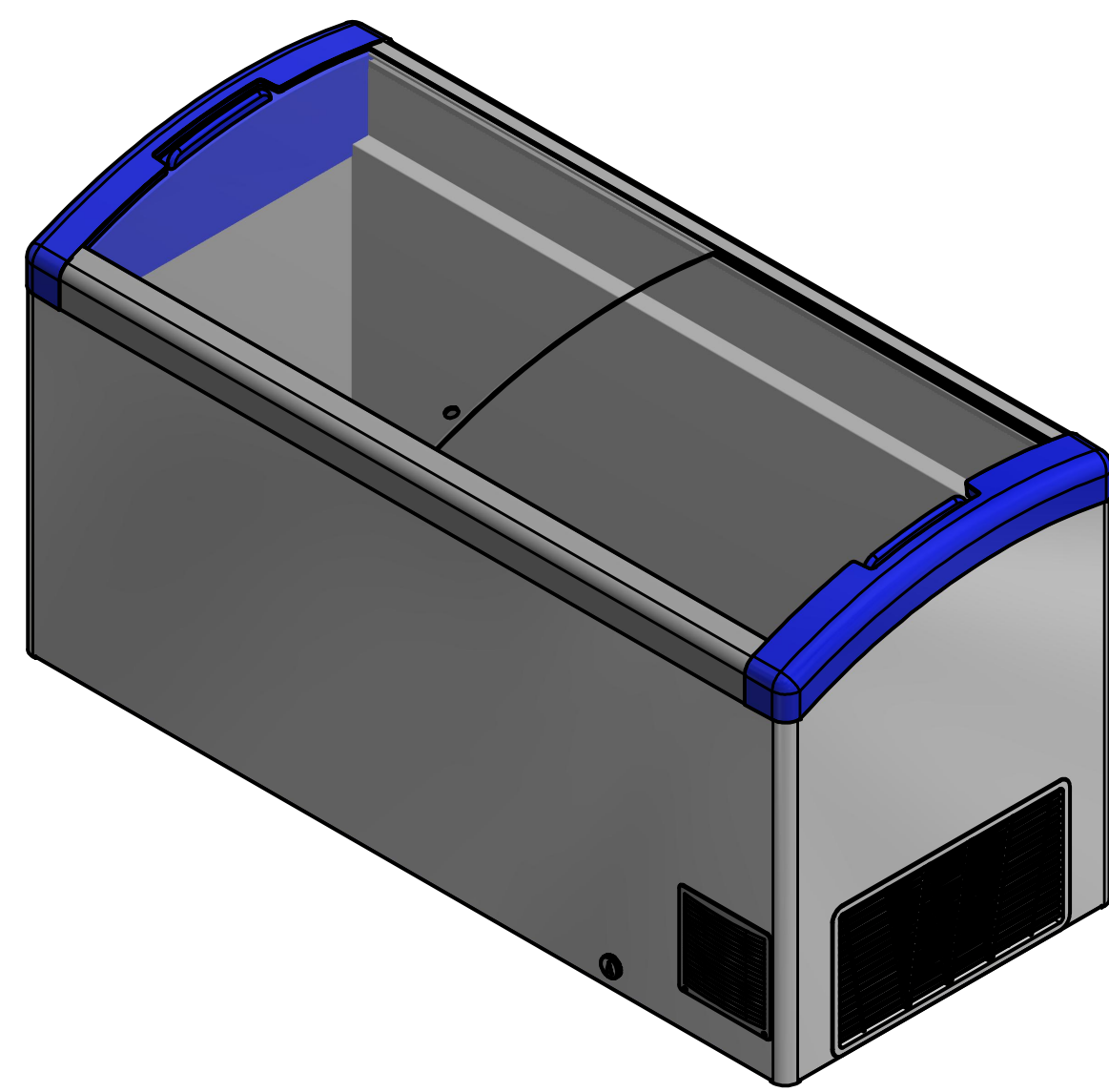
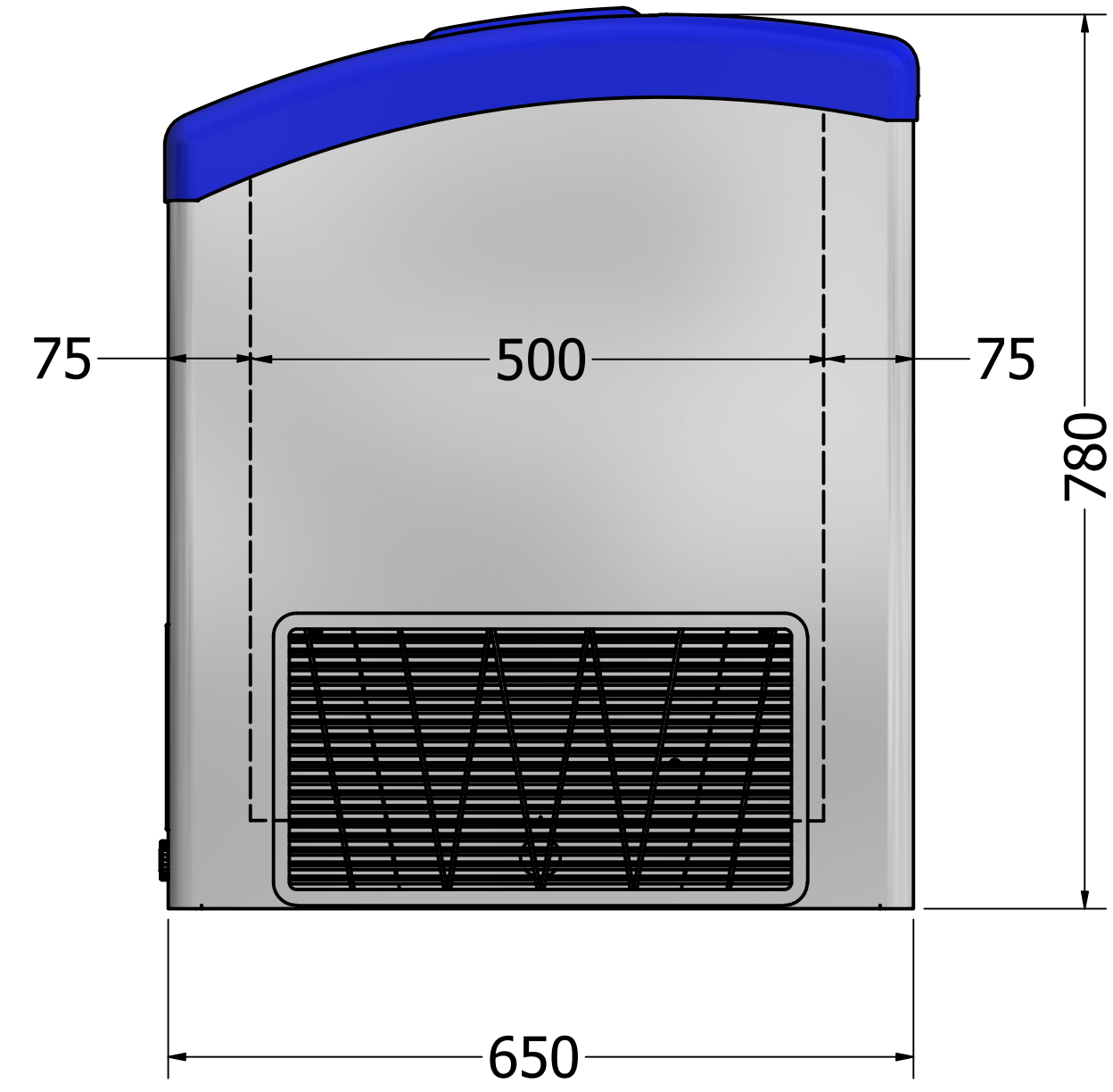
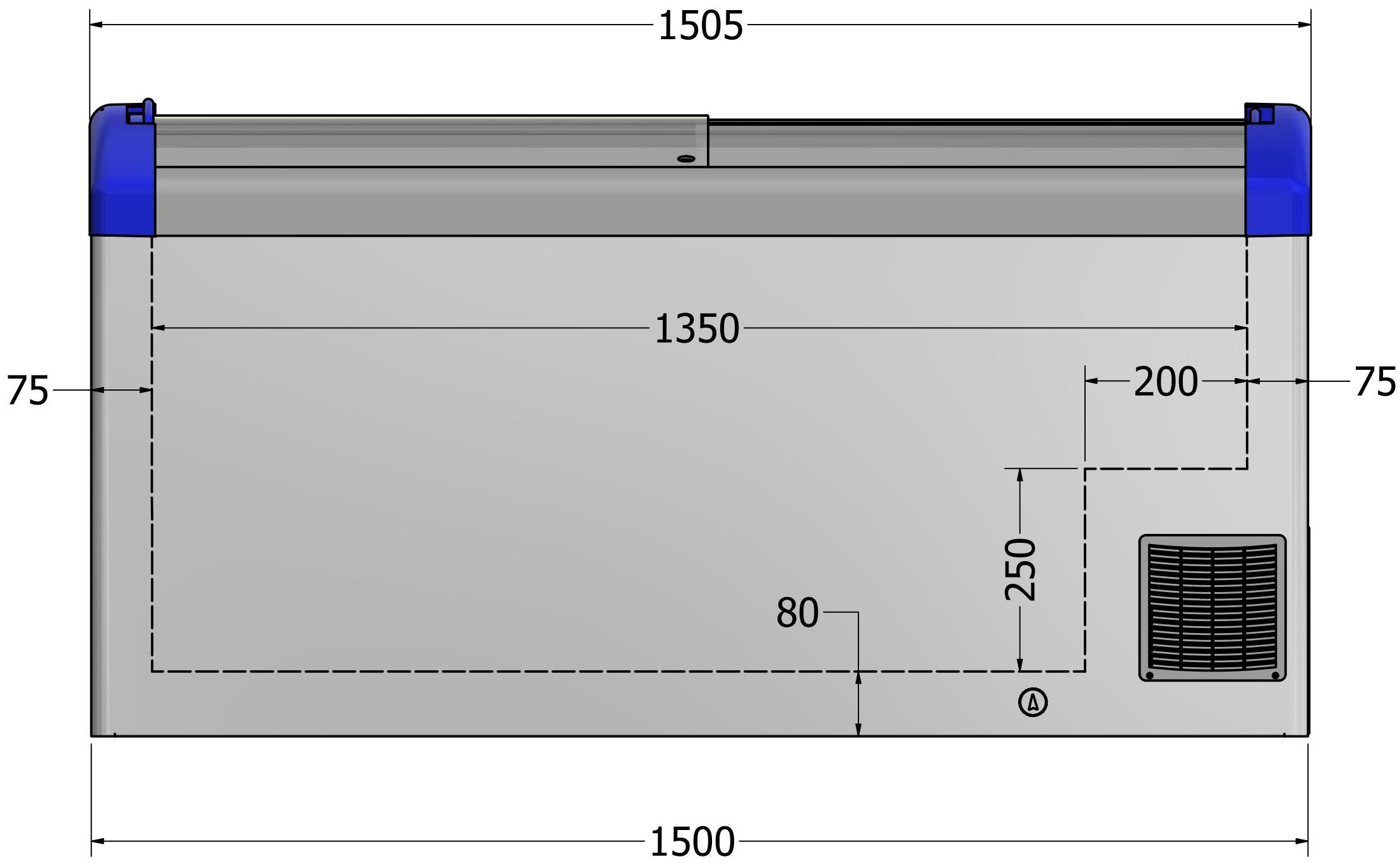
C

B

B

A

A



DRAWN	Marina Pedersen	01-09-2021		
CHECKED			TITLE	
QA				
MFG				
APPROVED				
		SIZE	DWG NO	REV
		C	Focus 151	
		SCALE	SHEET 1 OF 1	

4

3

4

2

1