

4

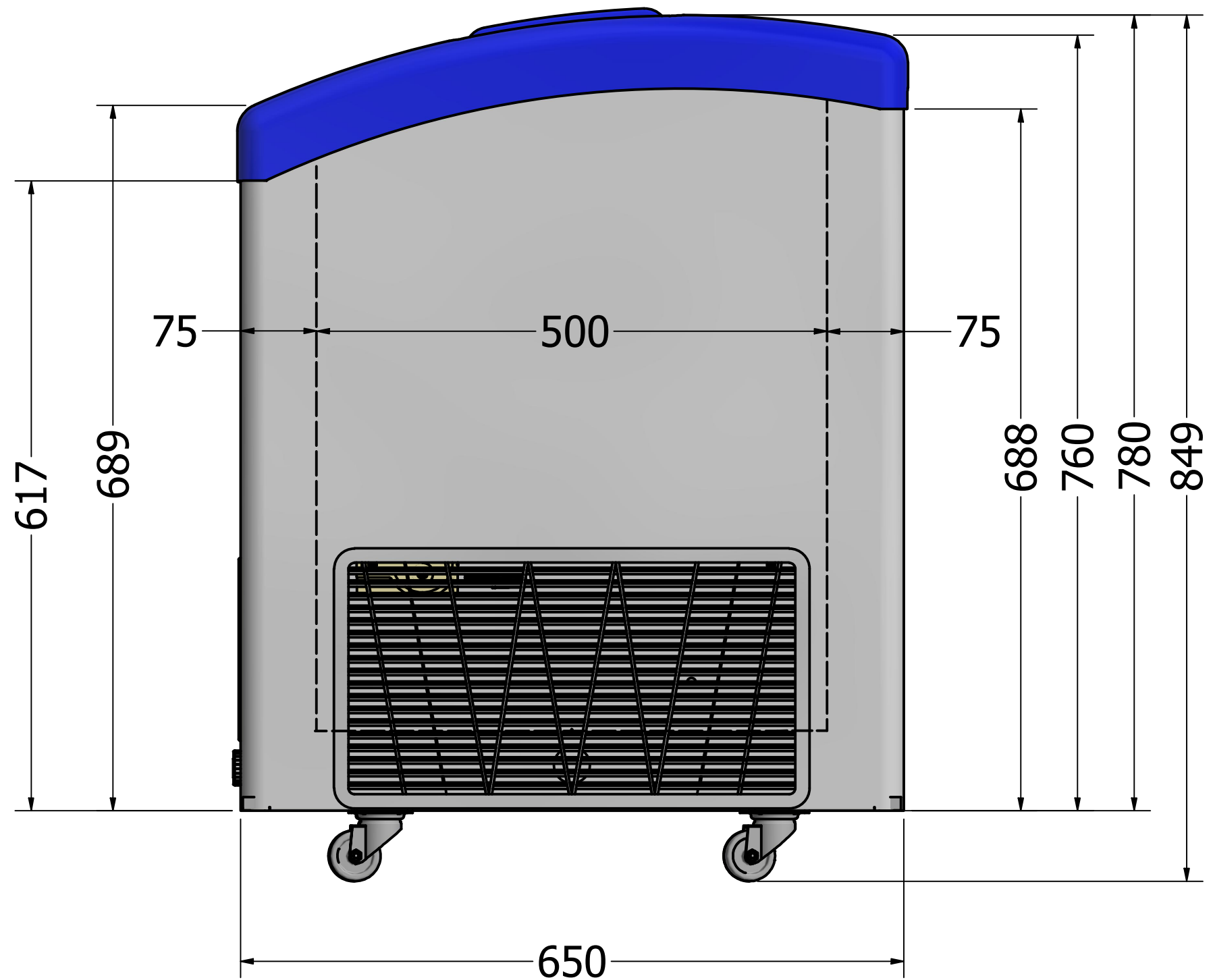
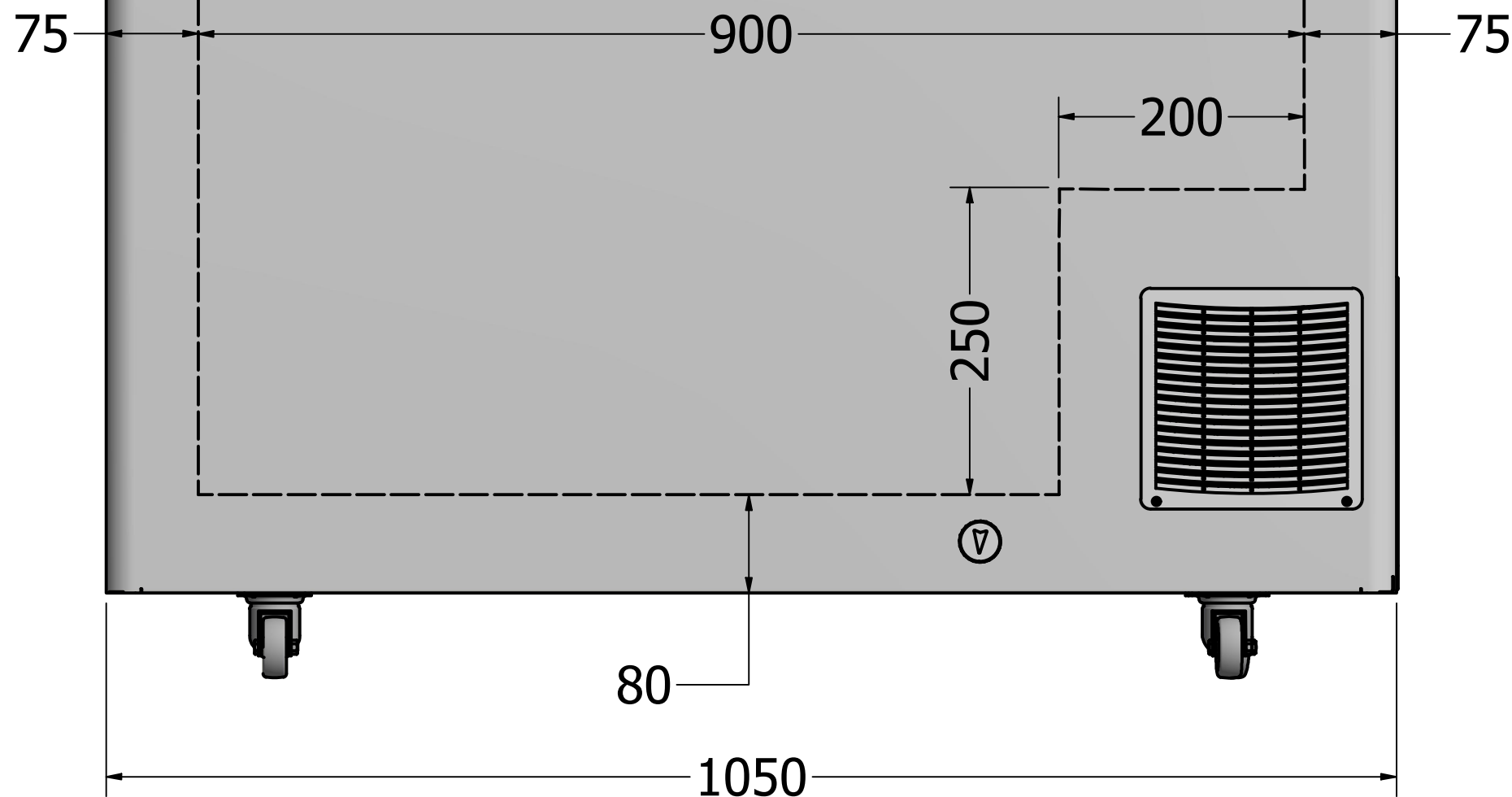
3

2

1

D

D



C

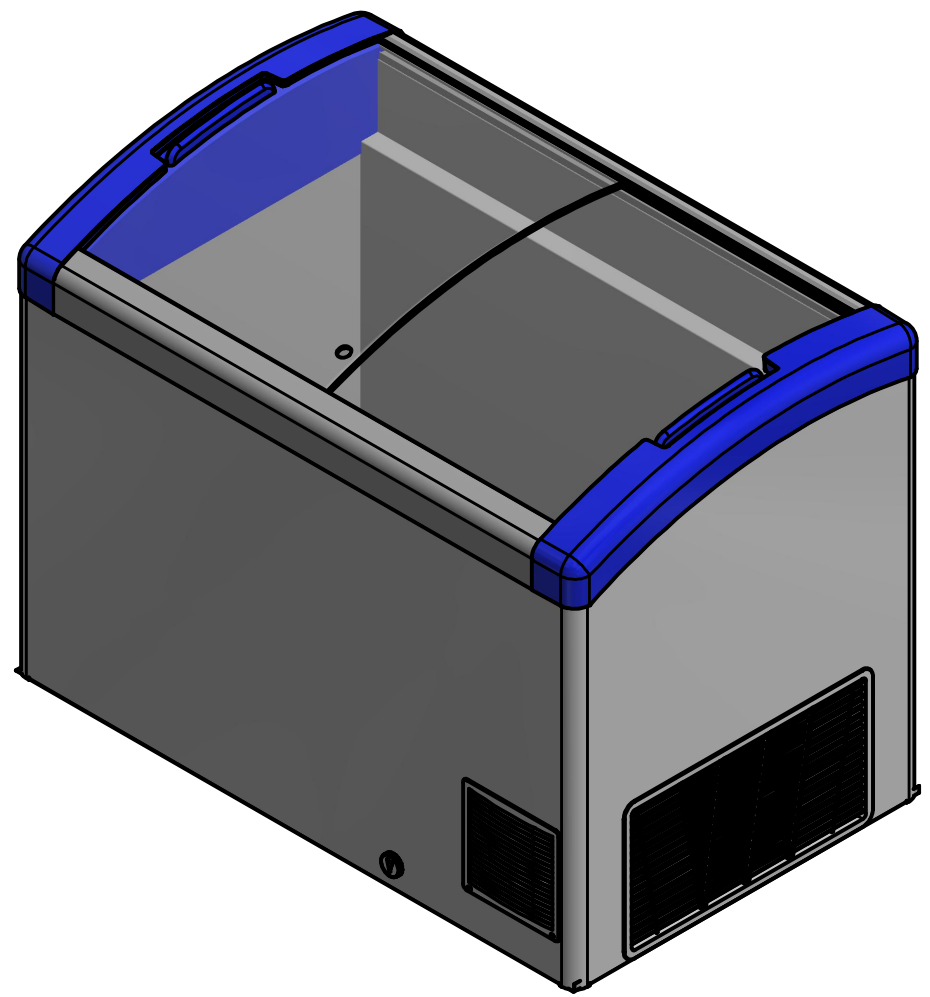
C

B

B

A

A



DRAWN Marina Pedersen	31-08-2021	TITLE		
CHECKED				
QA				
MFG				
APPROVED		SIZE C	DWG NO Focus 106	REV
		SCALE		SHEET 1 OF 1

4

3

4

2

1

A

A