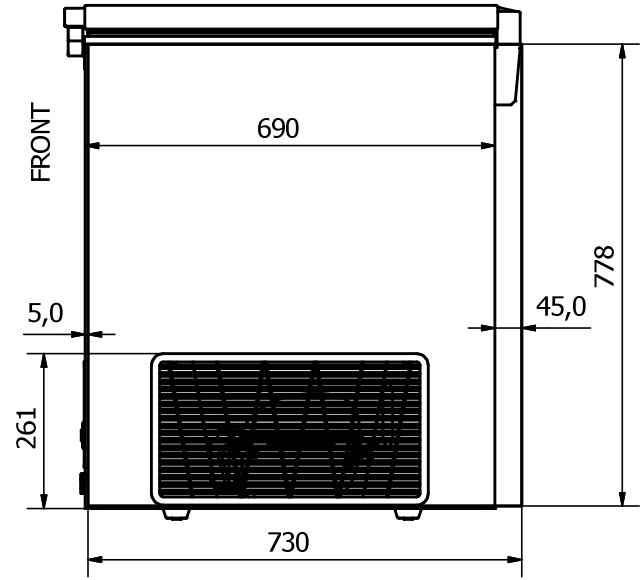
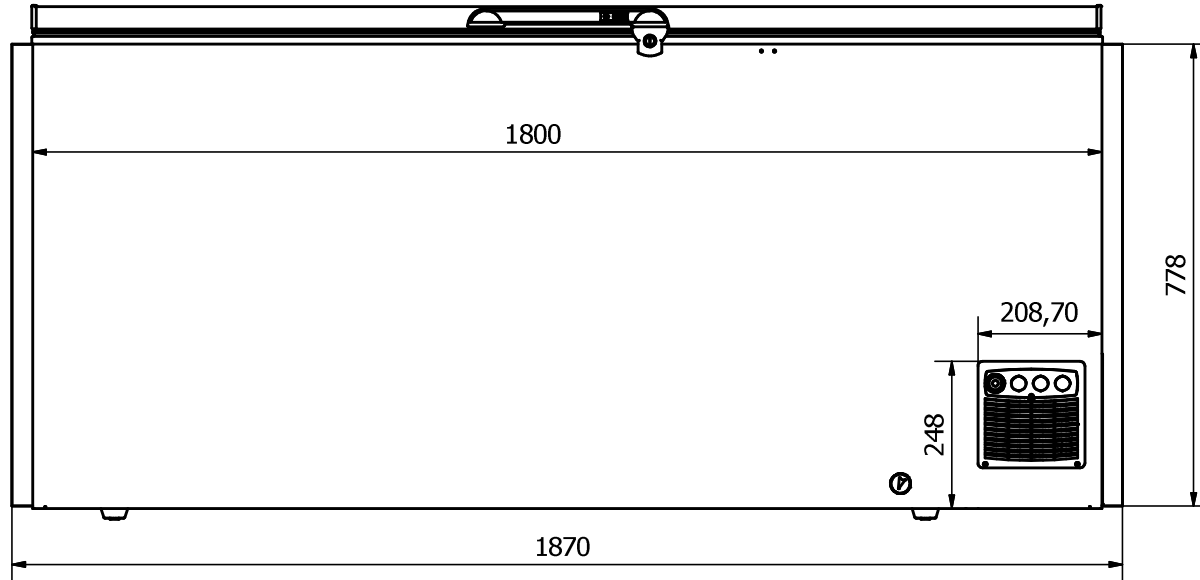


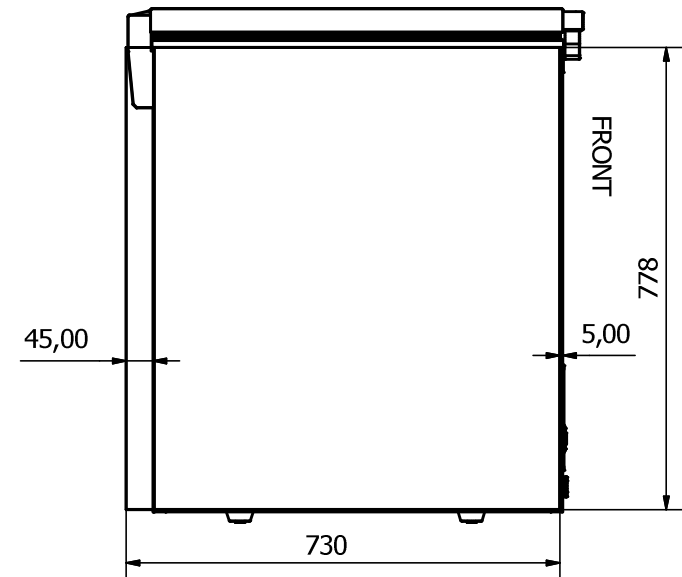
FRONT: Sticker 1870 x 778 mm

EL 71

RIGHT SIDE: Sticker 730 x 778 mm



LEFT SIDE: Sticker 730 x 778 mm



Comments:

The FRONT sticker will be taken around the corners by approx. 35 mm in each side
 The SIDE stickers will be mounted approx. 5 mm from the FRONT and will be taken around the BACK corner by approx. 45 mm

Designed by Marina Pedersen	Checked by	Approved by	Date	Date 11-08-2021	
Elcold Aps			Streamer measurements 3-sided, mm		
			EL 71	Edition	Sheet 1 / 1