

SPAREPARTS LIST CUBE



ITEM NO.	DESCRIPTION	CUBE 22		CUBE 35		CUBE 45		CUBE 53		CUBE 61	
		CODE		CODE		CODE		CODE		CODE	
1	CUBE LID UPPER	8011.0112		8011.0212		8011.0312		8011.0412		8011.0512	
2	CUBE LID LOWER	8011.0113		8011.0213		8011.0313		8011.0413		8011.0513	
3	GREY HANDLE FOR LID	HÄND10		HÄND10		HÄND10		HÄND10		HÄND10	
4	MINI CASTORS UNDER LID (SET to 1 LID)	PLASTD5 - 4 pcs.		PLASTD5 - 4 pcs.		PLASTD5 - 4 pcs.		PLASTD5 - 4 pcs.		PLASTD5 - 4 pcs.	
		PLASTD3, 4 - 2+2 pcs.		PLASTD3, 4 - 2+2 pcs.		PLASTD3, 4 - 2+2 pcs.		PLASTD3, 4 - 2+2 pcs.		PLASTD3, 4 - 2+2 pcs.	
5	DOWELS FOR LOCK (6 PCS)	PLASTD6		PLASTD6		PLASTD6		PLASTD6		PLASTD6	
6	LOCK KIT COMPLETE	8100.0301		8100.0301		8100.0301		8100.0301		8100.0301	
7	LOCK HOLDER IN UPPER GLASS	PLASTD31		PLASTD31		PLASTD31		PLASTD31		PLASTD31	

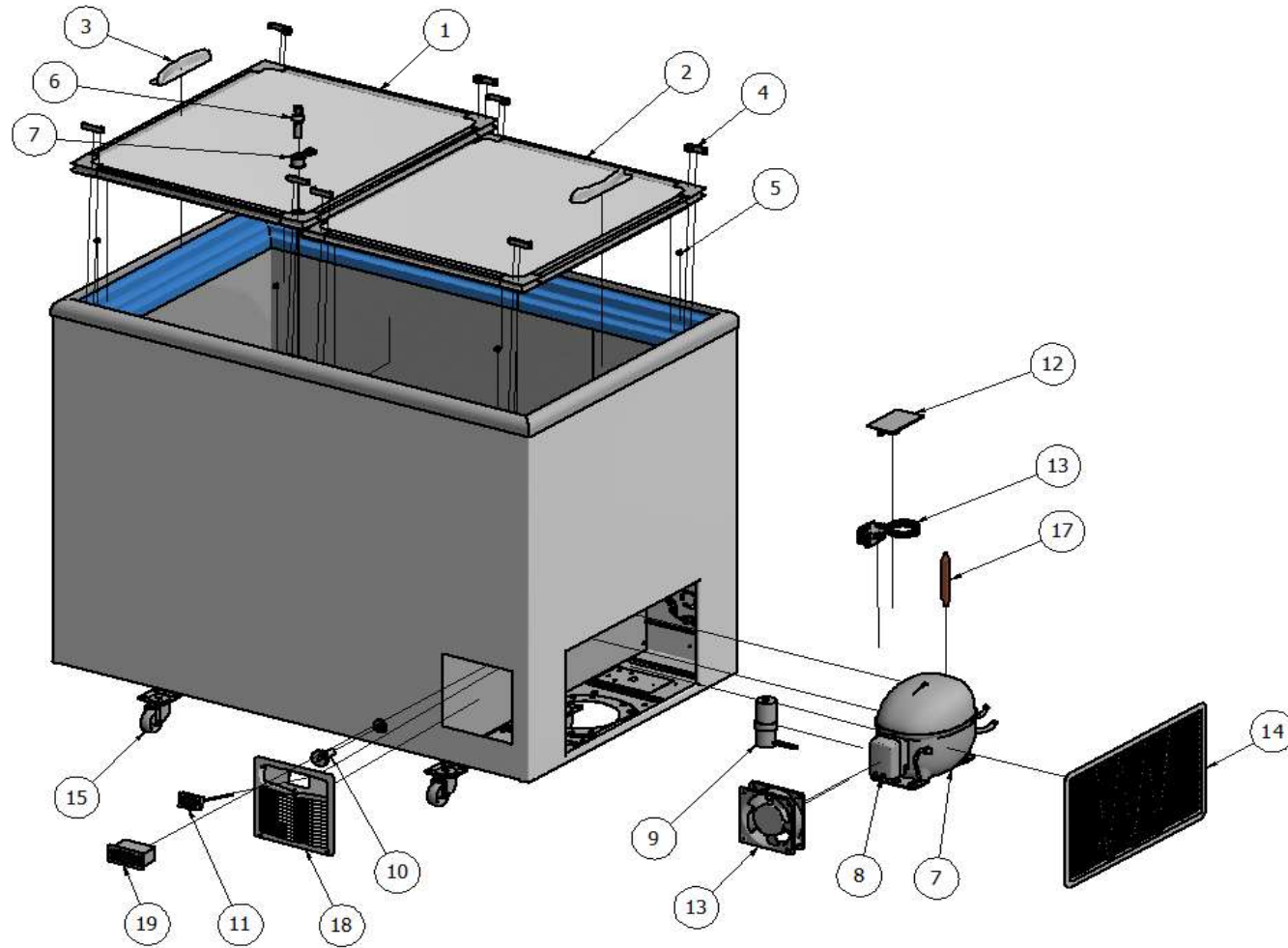
MOTOR COMPARTMENT

7	COMPRESSOR 230V/50Hz - R600a CC.4	EMY80CLP		EMY80CLP		NLE15KK.4				-	
8	STARTING RELAY	EMY80CLPRE		EMY80CLPRE				-		-	
9	START CAPACITOR	-		-		-		-		-	
7	COMPRESSOR 230V/50HZ - R290 CC.4	EMT2117U		EMT2121U		NEU2140U		NEU2140U		NEU2140U	
8	STARTING RELAY					NEU2140URE		NEU2140URE		NEU2140URE	
9	START CAPACITOR					NEU2140USK		NEU2140USK		NEU2140USK	

ITEM NO.	DESCRIPTION	CUBE 22		CUBE 35		CUBE 45		CUBE 53		CUBE 61	
		CODE		CODE		CODE		CODE		CODE	

OTHER

10	STOPPER FOR OUTSIDE DRAIN	E1HU		E1HU		E1HU		E1HU		E1HU	
11	DIGITAL THERMOMETER	FTERMOMETB2		FTERMOMETB2		FTERMOMETB2		FTERMOMETB2		FTERMOMETB2	
12	THERMOSTAT PANEL	E35H		E35H		E35H		E35H		E35H	
13	THERMOSTAT R600A	TERMOSTAT13		TERMOSTAT13		TERMOSTAT13		TERMOSTAT13		TERMOSTAT13	
13	THERMOSTAT R290	TERMOSTAT11		TERMOSTAT11		TERMOSTAT11		TERMOSTAT11		TERMOSTAT11	
14	GRILL FOR ENGINE COMPARTMENT	SP1417		SP1417		SP1417		SP1417		SP1417	
15	CASTORS 4 PCS KIT	8100.0200		8100.0200		8100.0200		8100.0200		8100.0200	
15	CASTORS 2 PCS WITH/2 PCS W/O BRAKE	8100.0202		8100.0202		8100.0202		8100.0202		8100.0202	
20	Fan230V	BLAES230 HBT		BLAES230 HBT		BLAES230 HBT		BLAES230 HBT		BLAES230 HBT	
20	Fan115V	BLAES115 HBT		BLAES115 HBT		BLAES115 HBT		BLAES115 HBT		BLAES115 HBT	
17	FILTER DRYER	FILTER6XH9		FILTER6XH9		FILTER6XH9		FILTER6XH9		FILTER6XH9	



PLASTMFP13
w. DIXELL



PLASTMFP14



PLASTMFP15
w. Thermometer

115 volt 60 Hz

UL SPEC.

ITEM NO.	DESCRIPTION	CUBE 22		CUBE 35		CUBE 45		CUBE 53		CUBE 61	
		CODE		CODE		CODE		CODE		CODE	
19	Electronic thermostat 115V Incl. sensor	DIXELL30CH1		DIXELL30CH1		DIXELL30CH1		DIXELL30CH1		DIXELL30CH1	
13	Mechanical thermostat R290	TERMOSTAT11		TERMOSTAT11		TERMOSTAT11		TERMOSTAT11		TERMOSTAT11	
20	Fan115V	BLAES115 HBT		BLAES115 HBT		BLAES115 HBT		BLAES115 HBT		BLAES115 HBT	
7	Compressor 120V 60HZ, R290	EMI70UER		EMI90UEX		NEU2140U1		NEU2140U1		NEU2140U1	
	Multiplug with cable	TSKU0102		TSKU0102		TSKU0102		TSKU0102		TSKU0102	
8	Starting relay					NEU2140U1RE		NEU2140U1RE		NEU2140U1RE	
9	Starting capacitor					NEU2140U1SK		NEU2140U1SK		NEU2140U1SK	
	Motor protector/ KLIXON					NEU2140U1KL		NEU2140U1KL		NEU2140U1KL	